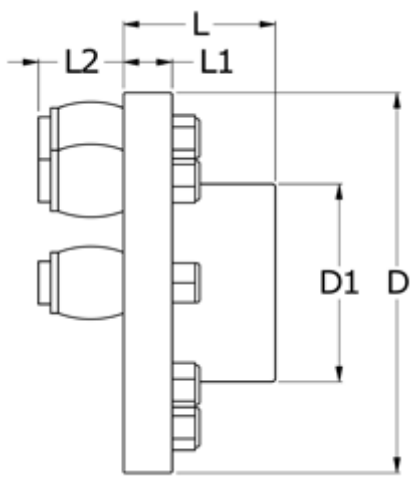


Article number: 330732002

Description: Coupling Rupex size 320
Part 2 (incl. Bolts and rubber elements)

Measures



D	= 320
D1	= 192
L	= 125
L1	= 30
L2	= 60
Max bore	= 120
Torque (N m)	= 5500